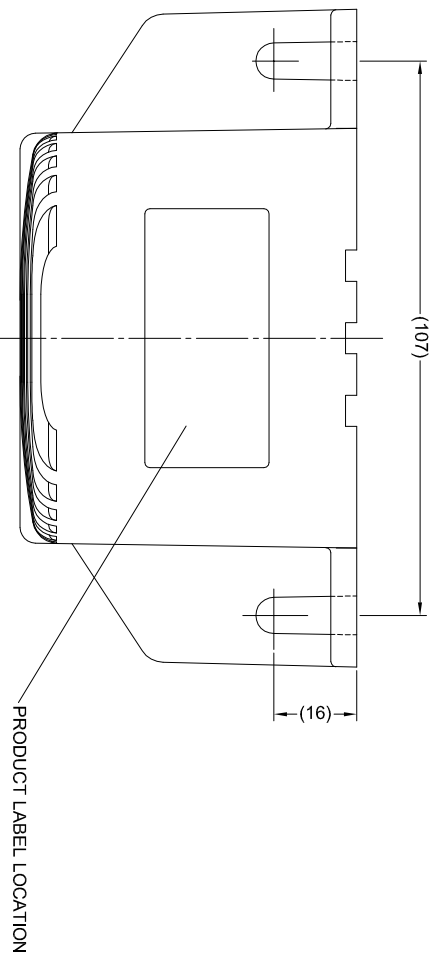
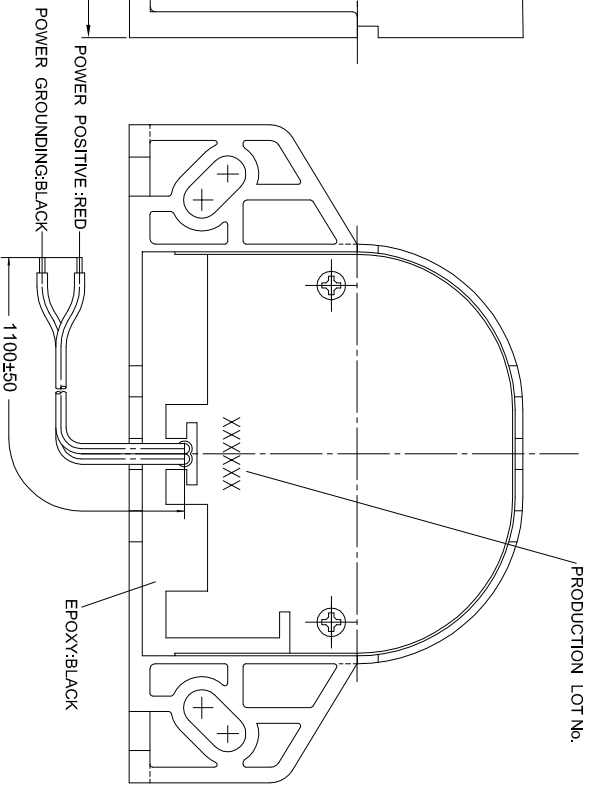
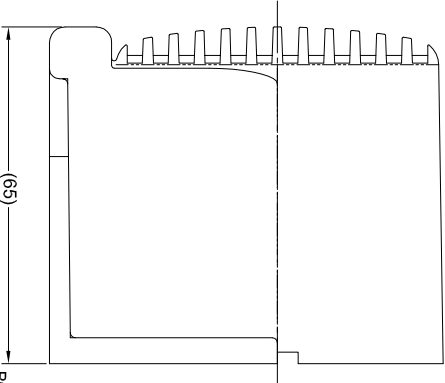
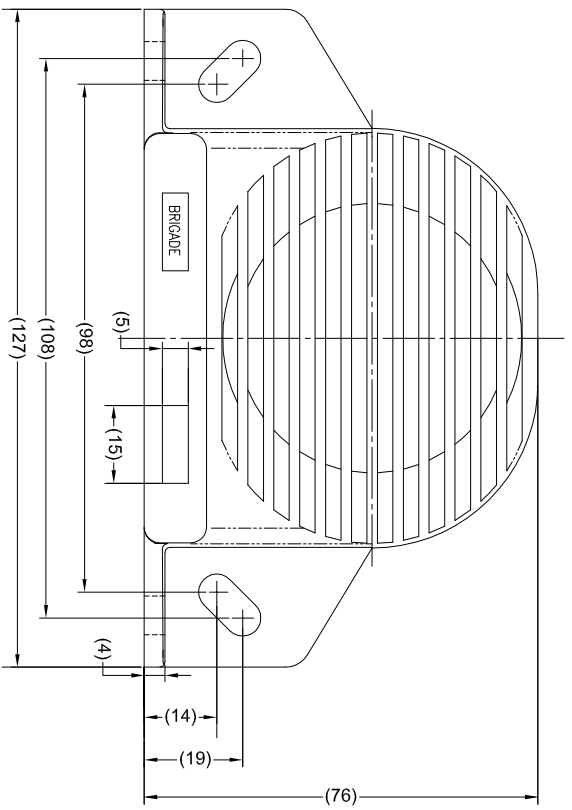


Revision Notes:			
R1 - NOTES UPDATED TO INCLUDE LABEL DETAILS, STANDARDS UPDATED AS PER ECR CR-4274.			
APA-KUIDA	Drawn:RBATES	Checked:MBUTLER	Approved:GRUTH
			Date: 28/08/14
R2 - DIMENSION CORRECTED FROM 1000 ± 50 TO 1100 ± 50 AS PER QI 798.			
APA-MWATANABE	Drawn:WBFAZLEV	Checked:RBATES	Approved:DWALLIN
			Date: 06/04/16



**SPECIFICATION:**

- 1) RATED VOLTAGE: 36 ~ 84 VOLTS DIRECT CURRENT (WORKING VOLTAGE RANGE 28 ~ 112 VOLTS)
- 2) RATED CURRENT: 0.115 AMPERES OR LESS
- 3) SOUND PRESSURE: 82±4 DECIBELS AT TEST VOLTAGES OF 42-96 VOLTS.
- 4) INTERMITTENCE: 80±10 CYCLES PER MINUTE AT TEST VOLTAGES OF 42-96 VOLTS
- 5) TONE: WHITE SOUND.

- NOTES:**
1. FOR PRODUCT LABEL REFER TO LATEST REVISION OF DRAWING: BE-002833-XX-14
  2. FOR GIFTBOX LABEL REFER TO LATEST REVISION OF DRAWING: BE-002834-XX-14.
  3. "R TRIANGLE" INDICATES CHANGES MADE TO CURRENT REVISION AS IDENTIFIED IN NOTES.

**PROPRIETARY NOTICE**  
 THIS DESIGN AND TECHNICAL INFORMATION APPEARING ON THIS DRAWING IS THE PROPERTY OF BRIGADE ELECTRONICS AND IS DISCLOSED IN CONFIDENCE. IT IS NOT TO BE COPIED, REPRODUCED, REVEALED TO OR EXPLOITED BY OTHERS, EITHER IN WHOLE OR IN PART WITHOUT THE EXPRESS WRITTEN CONSENT OF BRIGADE ELECTRONICS.

**BRIGADE®**  
 www.brigade-electronics.com

Assembly PI Approval M.WATANABE 06/04/16	Approved by DKERAL	Checked by DKERAL	Drawn by DKERAL	
				Angle of Projection
Third Angle	Status RELEASED	BBS-82HV		
Part No #1322	BE-000165-02-04			